

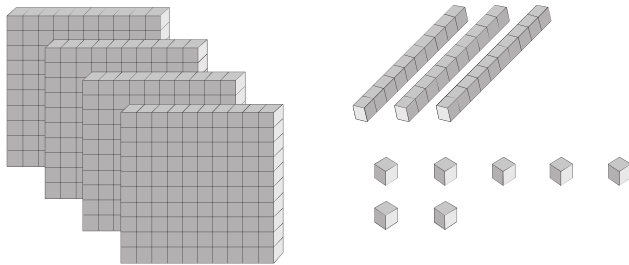
CHAPTER  
**1**

# Numbers to 1,000

## Practice 1 Counting

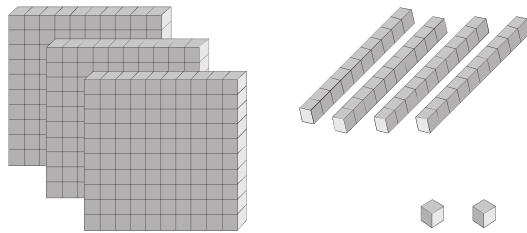
Write the numbers shown by the base-ten blocks.

Example



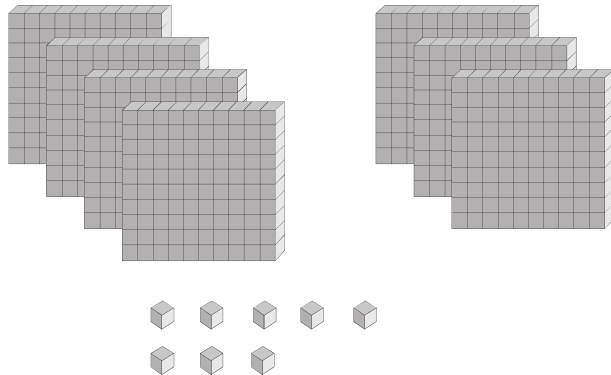
437

1.



\_\_\_\_\_

2.



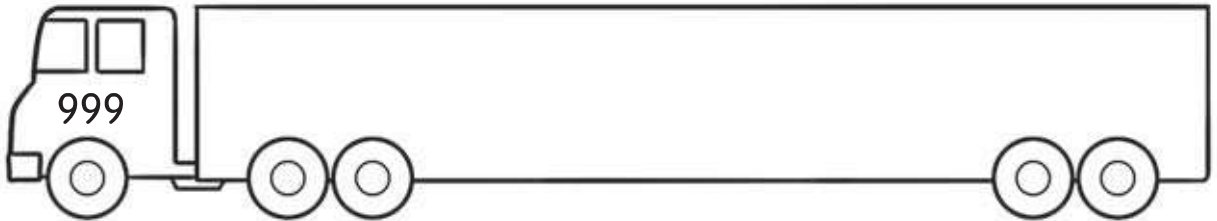
\_\_\_\_\_

## Write the numbers in words.

Example



3.



4.



5.



6.



Name: \_\_\_\_\_

Date: \_\_\_\_\_

7. Fill in the chart with the correct numbers.  
The first one is done for you.



three hundred thirteen	313	C
six hundred six		P
five hundred fifty-five		O
nine hundred twenty-four		H
three hundred six		W
four hundred fifty-eight		A
one hundred ninety-nine		E
six hundred sixty		R
seven hundred twelve		N
three hundred thirty		V
eight hundred seventy-two		Y
two hundred eighty-one		K
five hundred forty-three		S

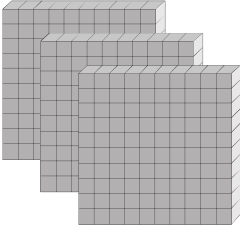
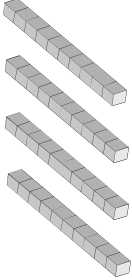

Write the letters that match the numbers.  
Find which cave the train is going to.  
An example is shown.

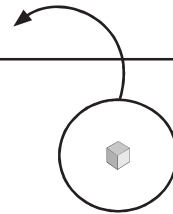
924	458	606	606	872

C			
313	458	330	199

# Find the missing numbers.

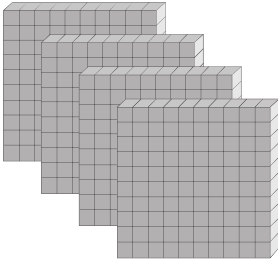
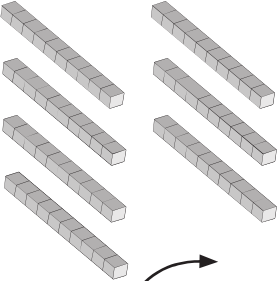
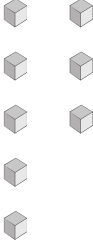
8.

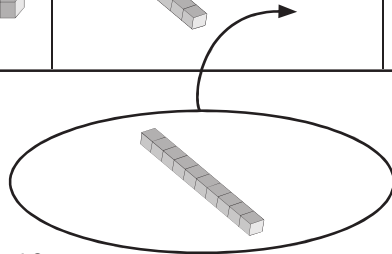
Hundreds	Tens	Ones
		



$+1$        $+1$   
 $\curvearrowright$        $\curvearrowright$   
 343, \_\_\_\_\_, \_\_\_\_\_, \_\_\_\_\_, \_\_\_\_\_

9.

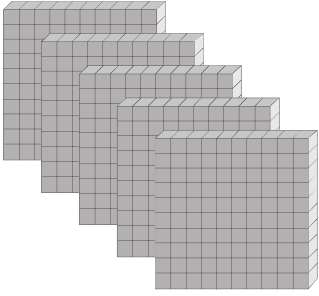
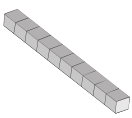

Hundreds	Tens	Ones
		

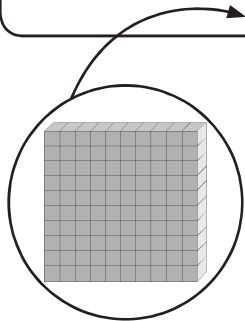



$+10$        $+10$   
 $\curvearrowright$        $\curvearrowright$   
 478, \_\_\_\_\_, \_\_\_\_\_, \_\_\_\_\_, \_\_\_\_\_

**Find the missing numbers.**

10.

Hundreds	Tens	Ones
		



$+ 100$       $+ 100$   
  
 511, \_\_\_\_\_, \_\_\_\_\_, \_\_\_\_\_, \_\_\_\_\_

© Marshall Cavendish International (Singapore) Private Limited.

**Freddy Frog loves to count.  
Count with him and find the missing numbers.**

11.

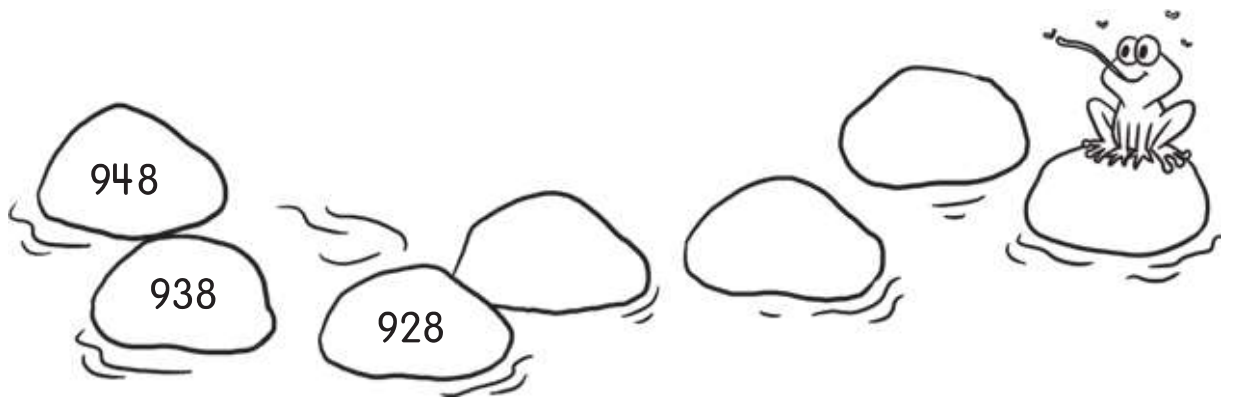


**Freddy Frog loves to count.  
Count with him and find the missing numbers.**

**12.**



**13.**



**14.**

